

**Eclipse Architectural<sup>®</sup>**  
Exterior folding door systems

## **Eclipse Twinpoint Lock & Swing Handle Installation Manual**

TwinPoint Lock LT2 Model For Wood Doors

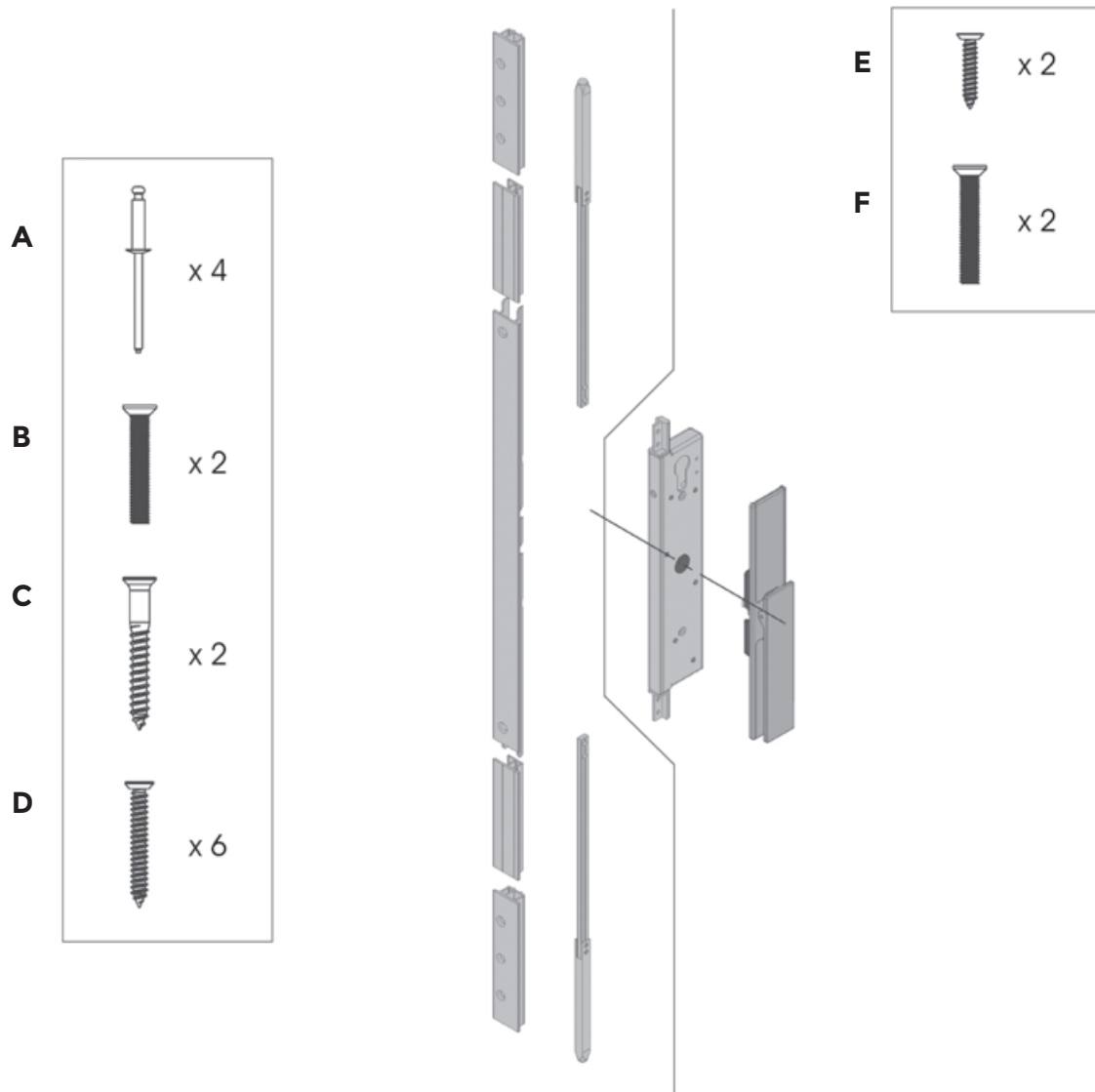
Swing Handle DF3 (Aluminum) & DF4 (Stainless Steel) Models

**DSGroup<sup>®</sup>**

[www.theDSgroup.com](http://www.theDSgroup.com)

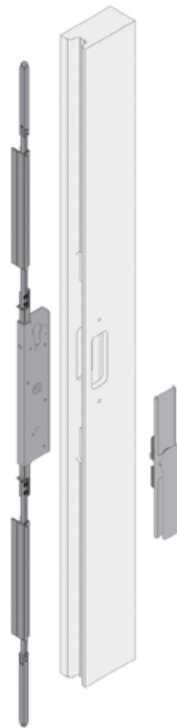
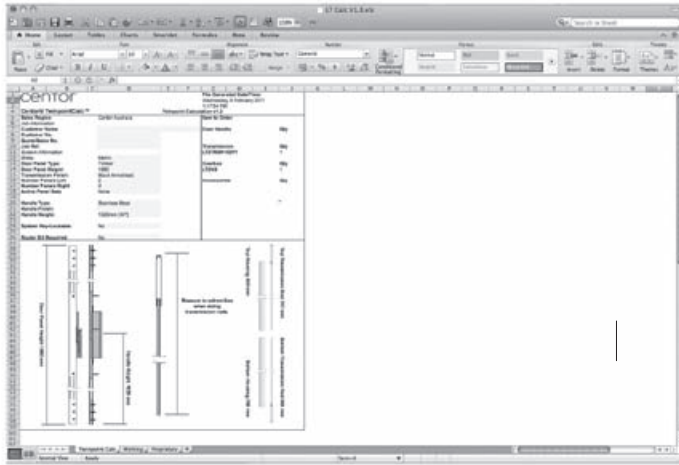
**Tomorrow's Innovative Solutions for Today's Doors & Windows**

The DS Group Of Companies: Draftseal<sup>®</sup>, Kristrack<sup>®</sup>, Eclipse Architectural<sup>®</sup> & DSD Hardware

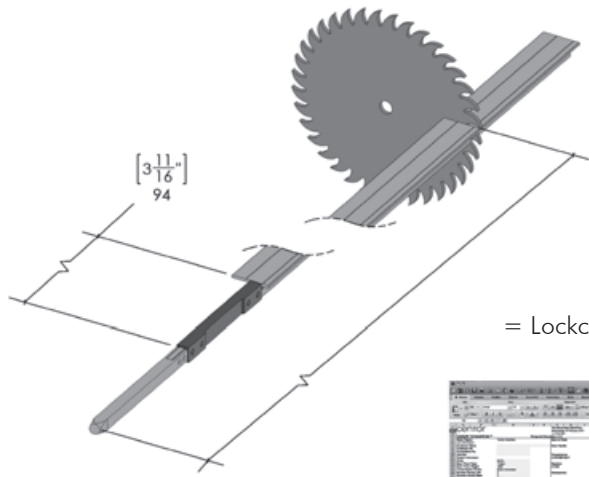


NO SCALE

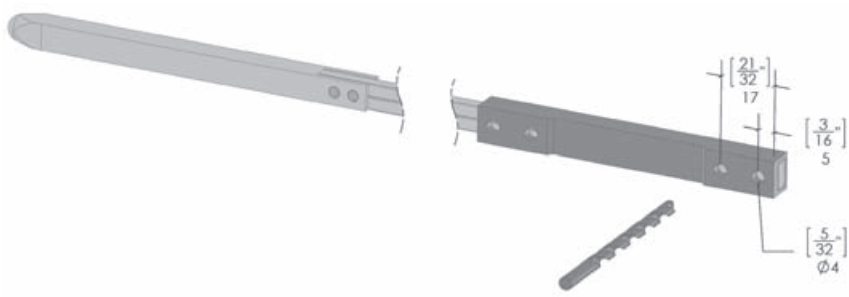
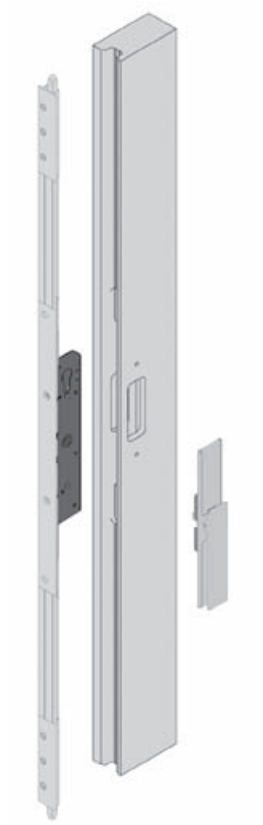
Lockcalc LT LA.xls



NO SCALE

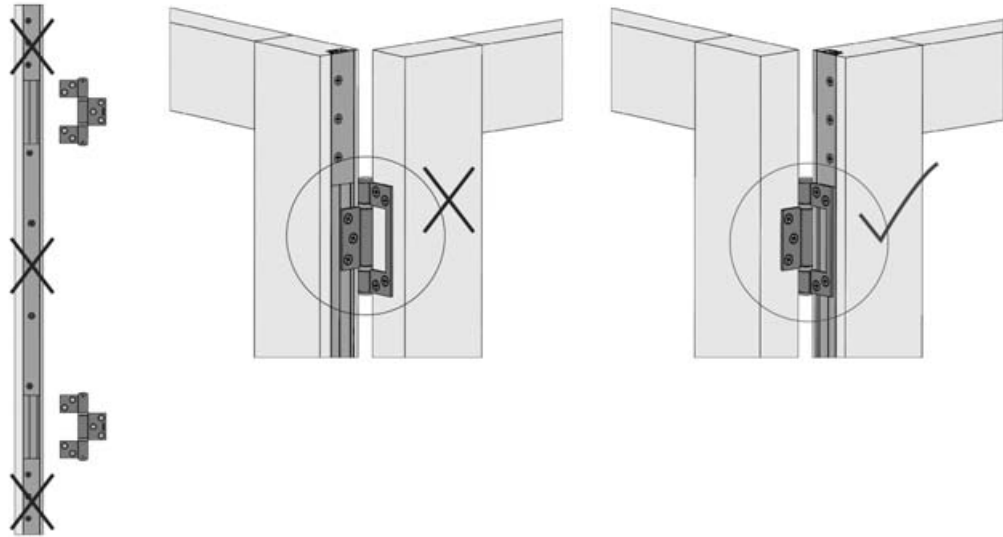


= Lockcalc LT LA.xls

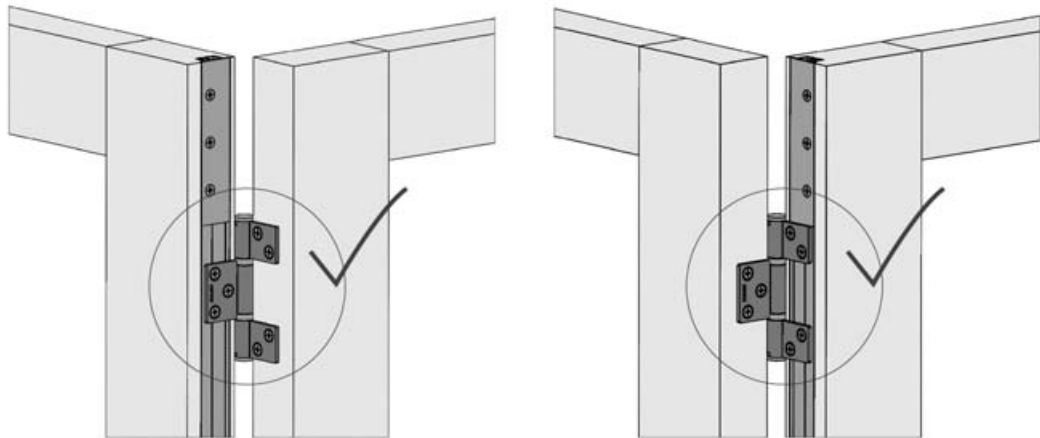


NO SCALE

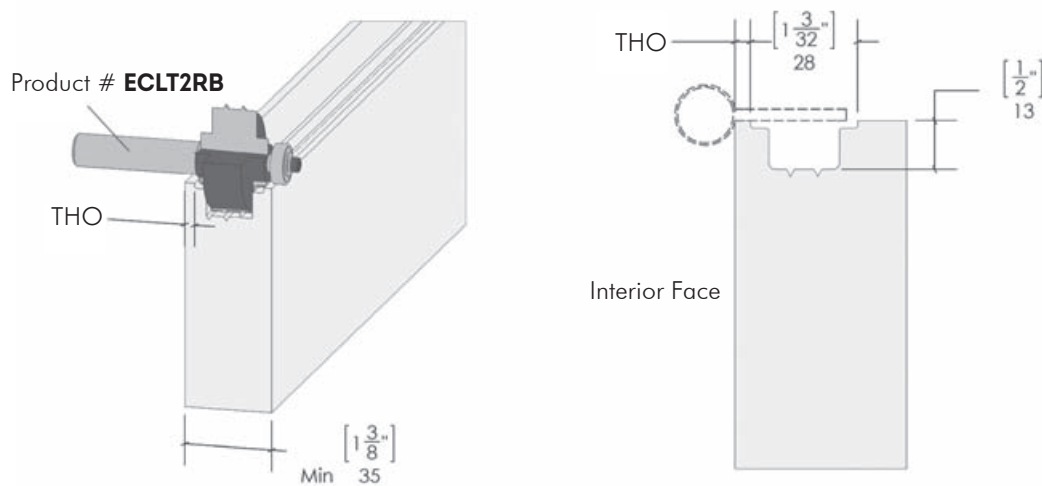
**E2**



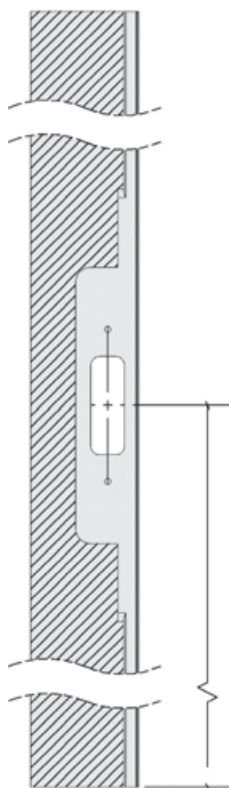
**E3**



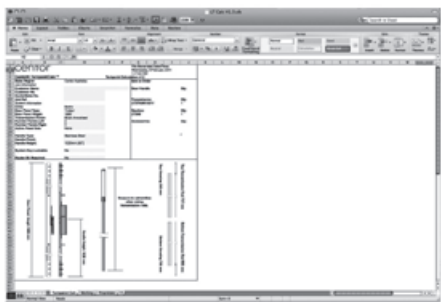
NO SCALE



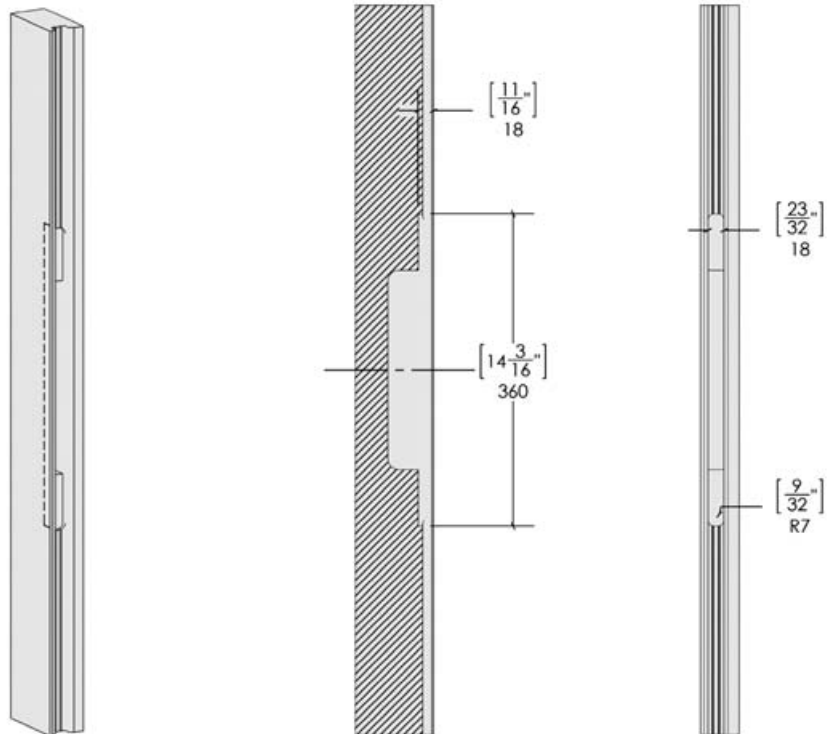
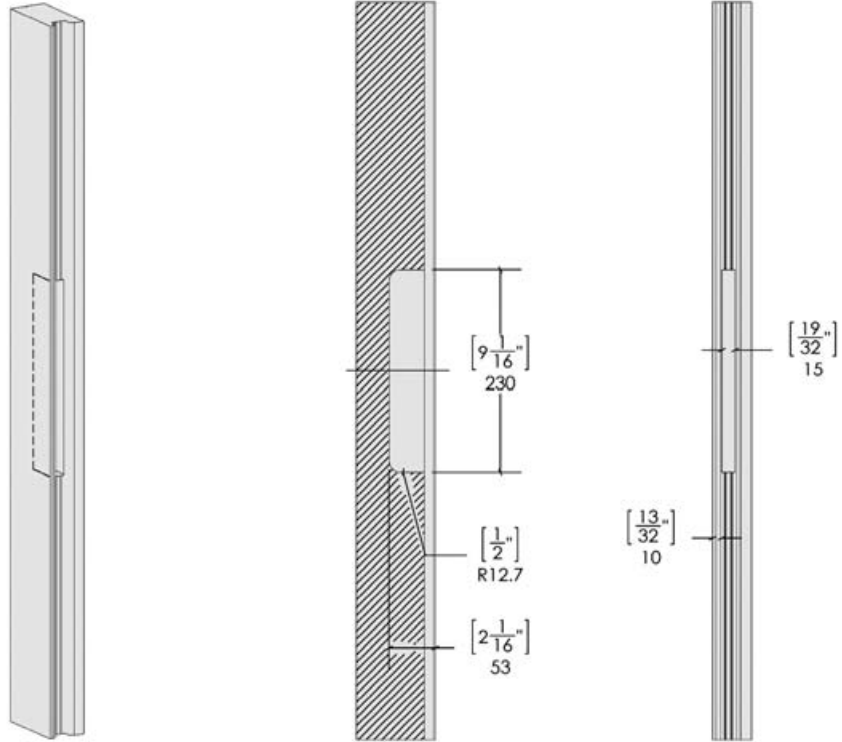
Tho (Twinpoint Hinge Offset)	Thickness Of Door Panel	Program
5/32" (4mm)	1-3/4" (44.45mm)	E2 / E3 / F2 / F3
7/16" (11mm)	2-1/4" (57.15mm)	E4



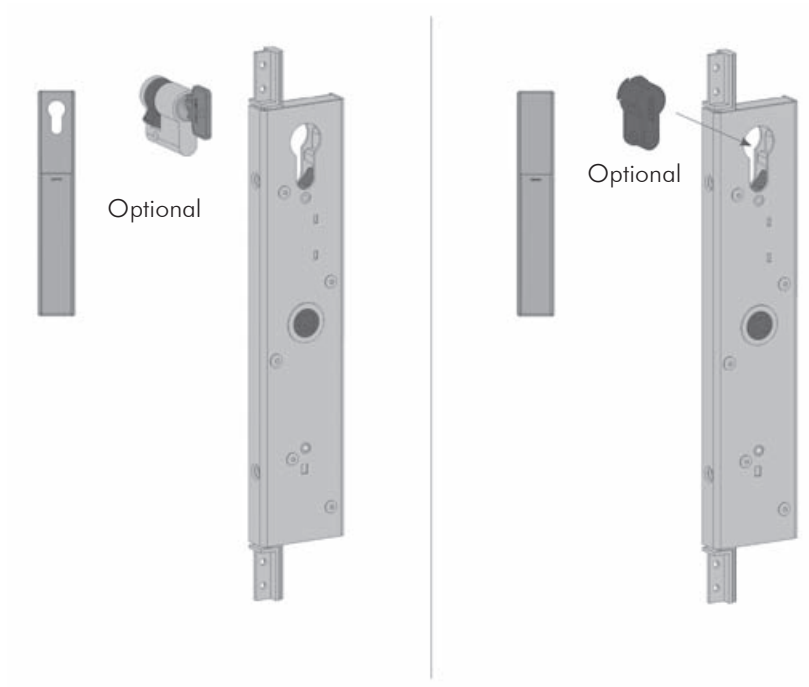
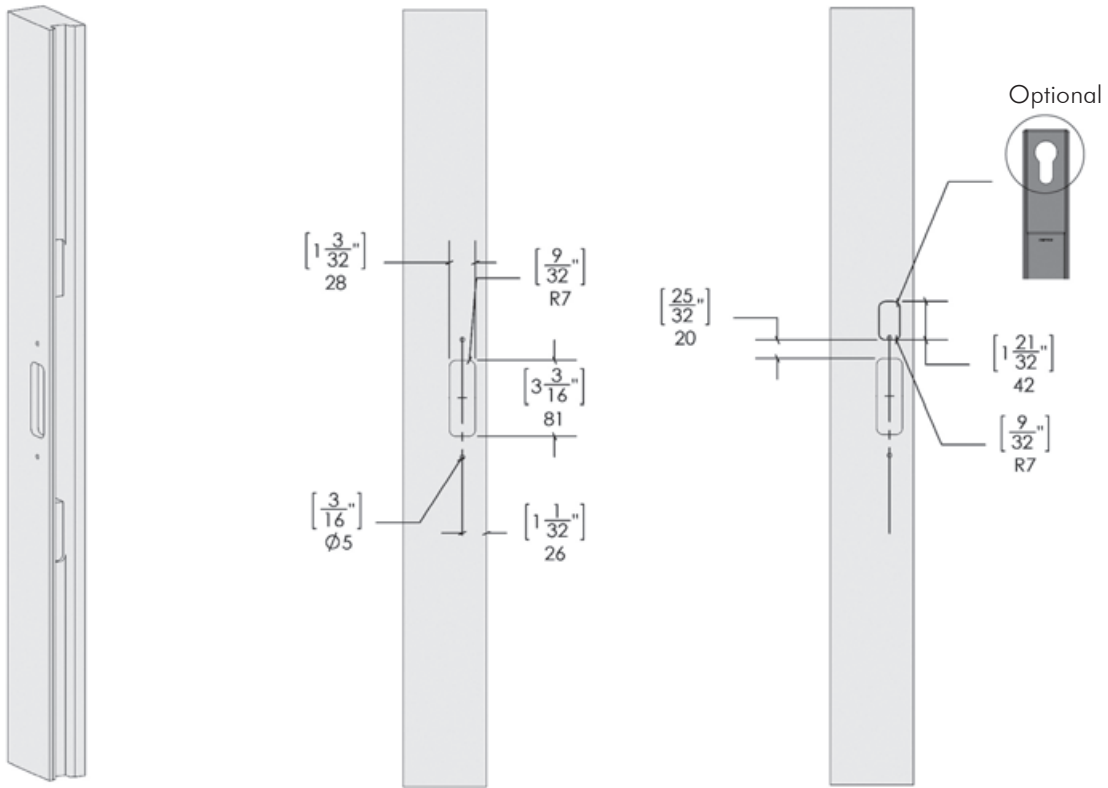
Lockcalc LT LA.xls



NO SCALE

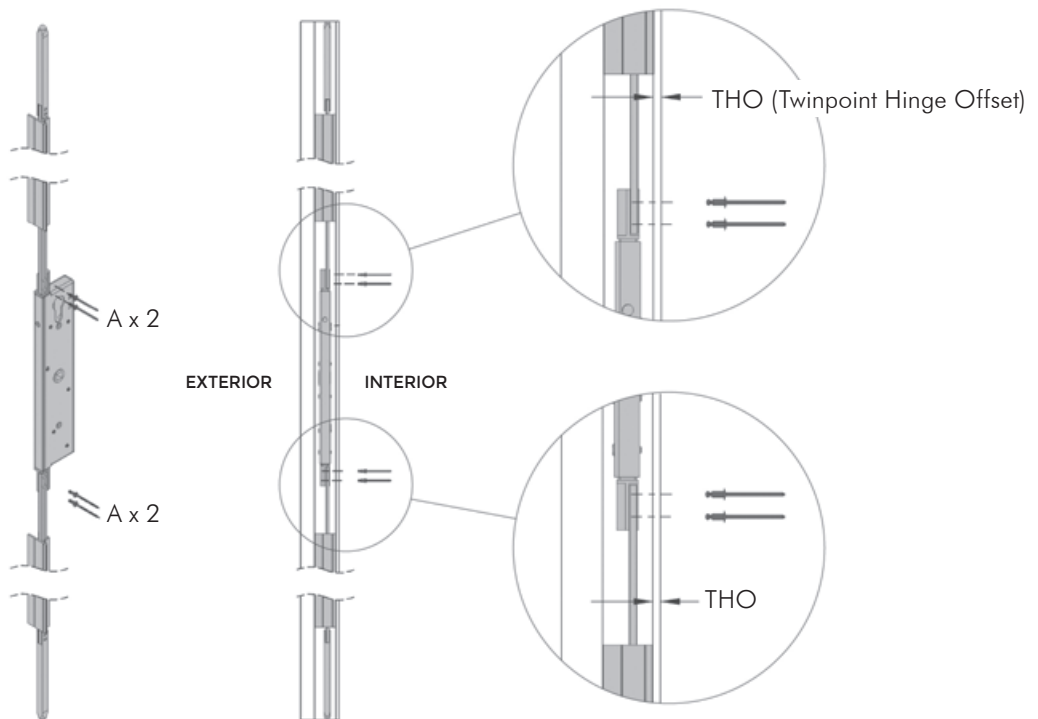
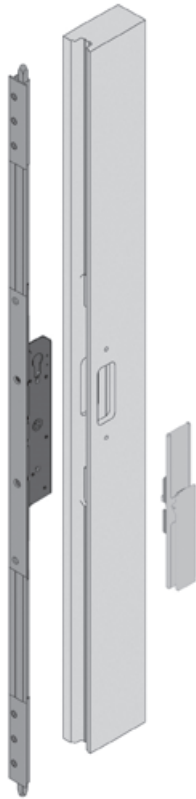


NO SCALE



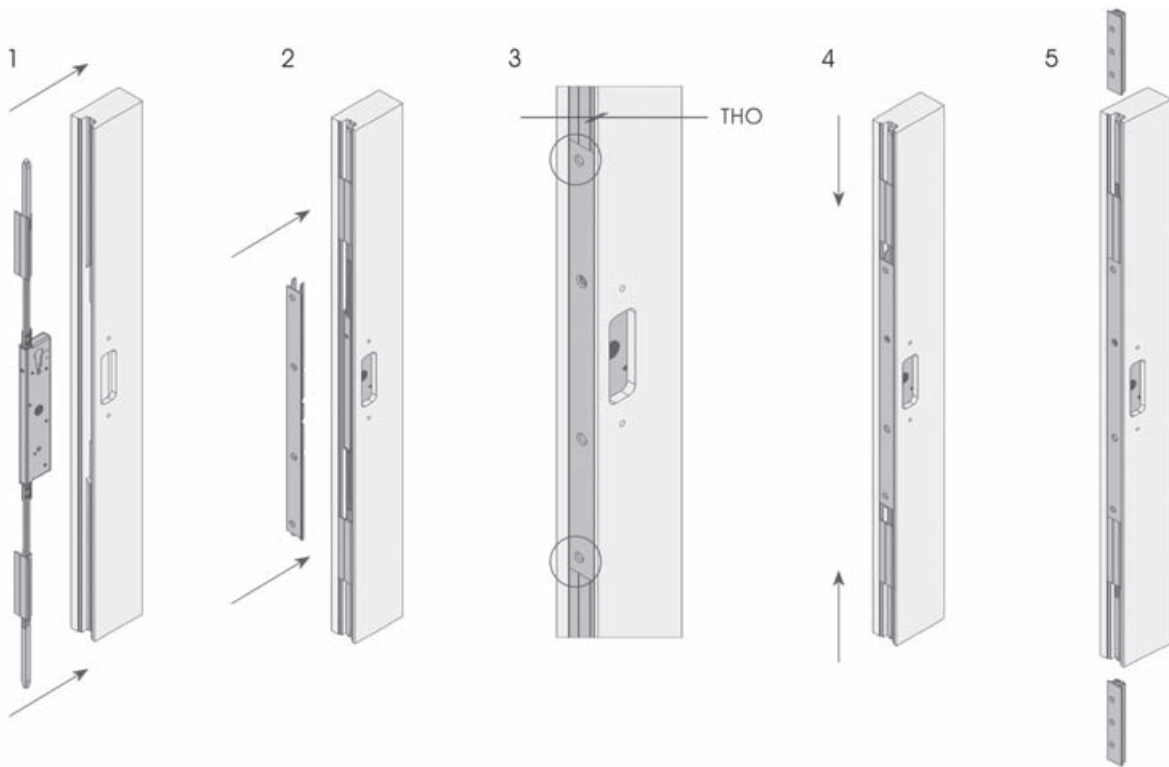
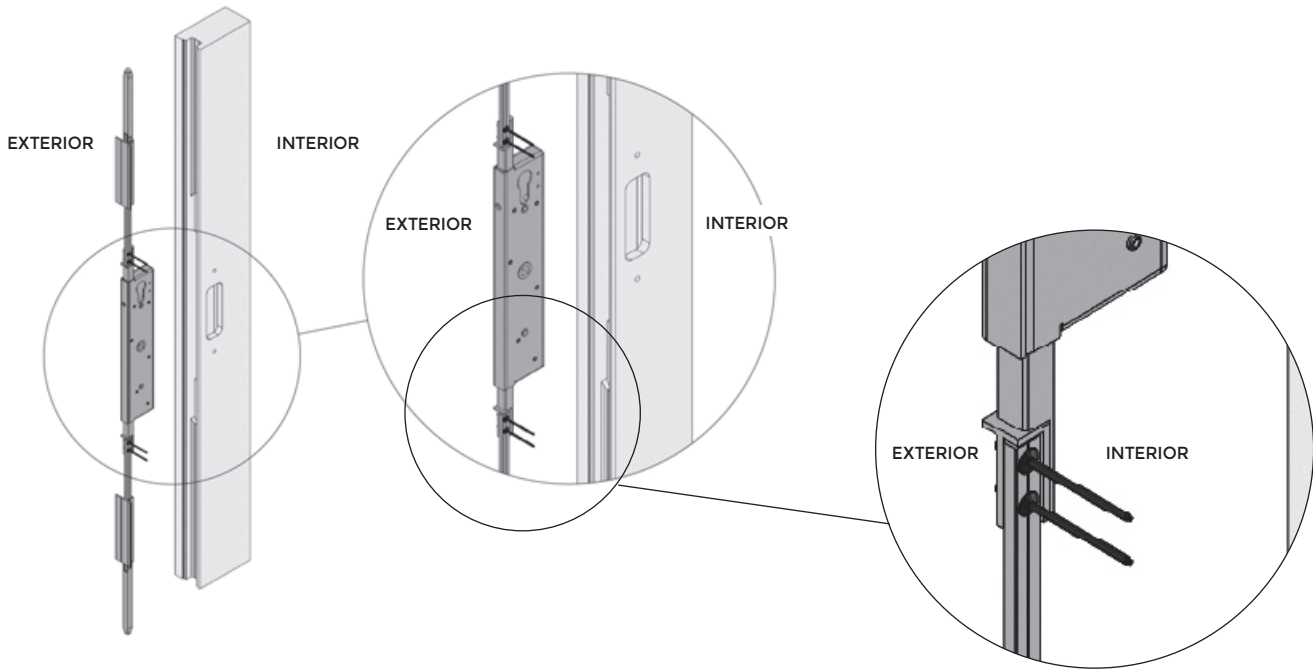
NO SCALE



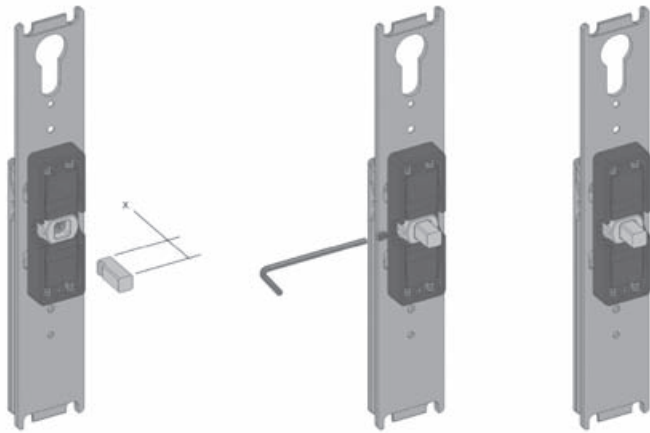
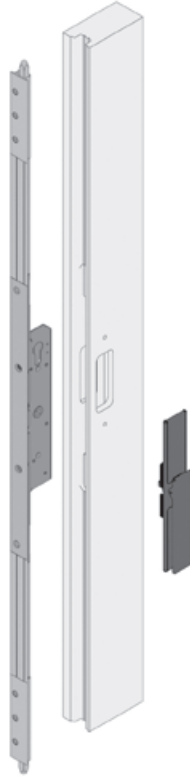


NO SCALE

## Outswing Systems Only

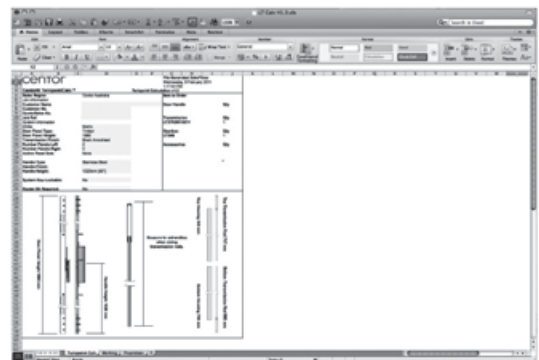


NO SCALE

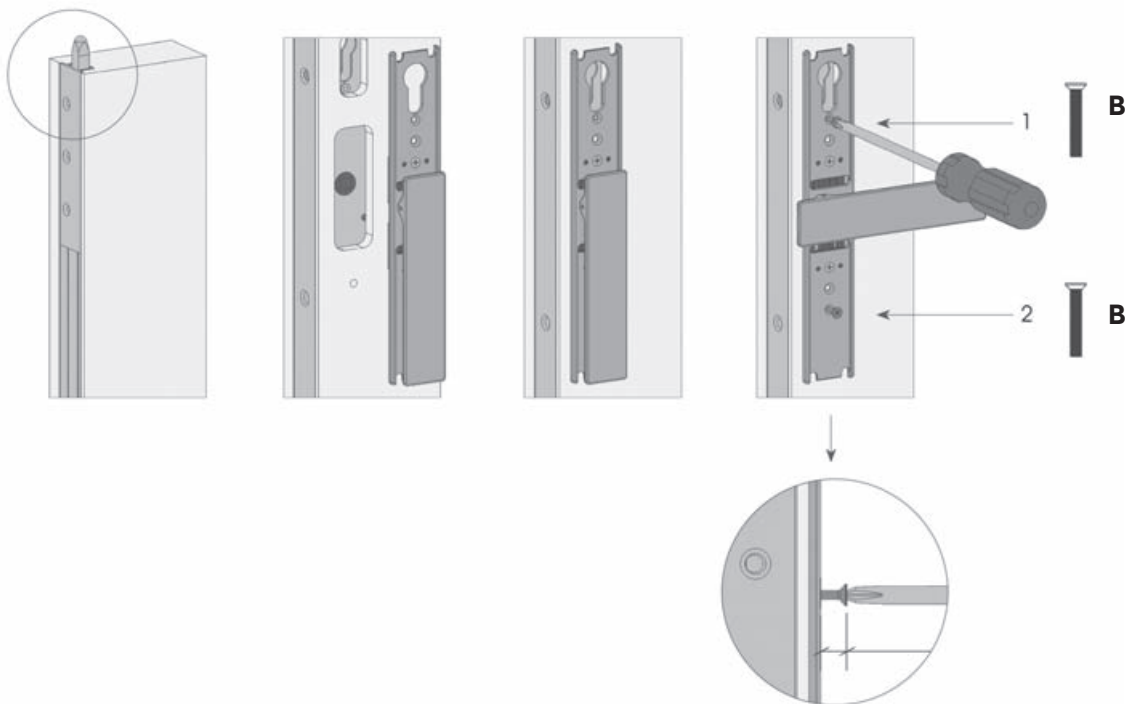


X =	Thickness of door panel
25/32" (20mm)	1-3/4" (44.45mm)
1-3/16" (30mm)	2-1/4" (57.15mm)

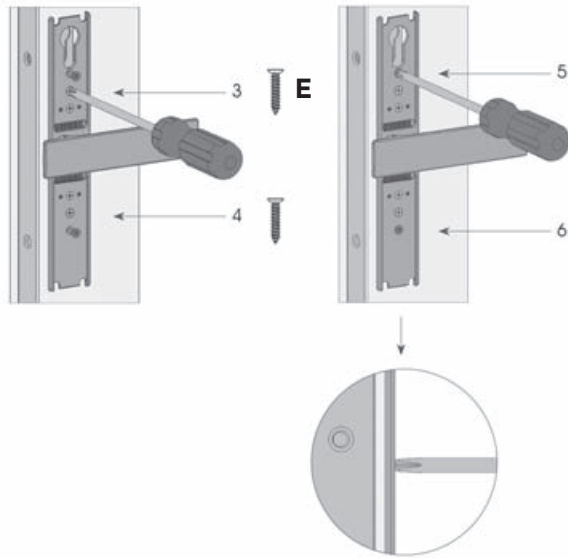
Lockcalc LT LA.xls



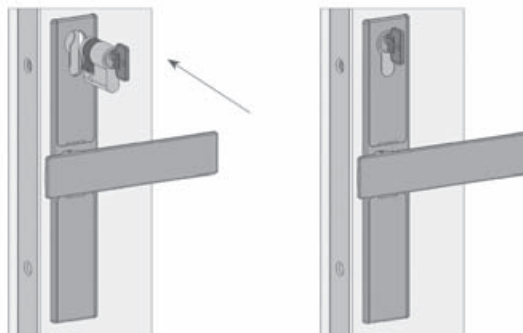
NO SCALE



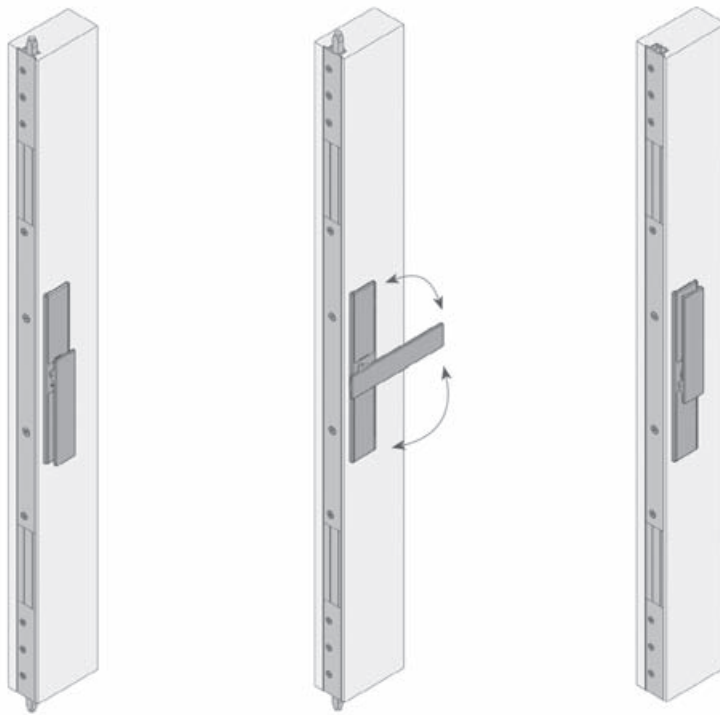
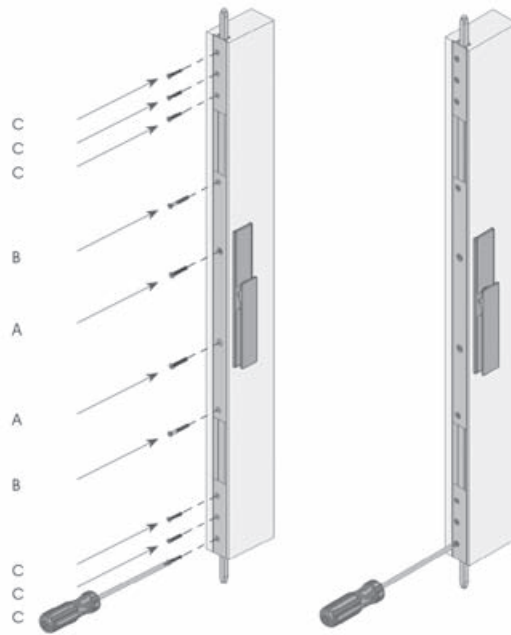
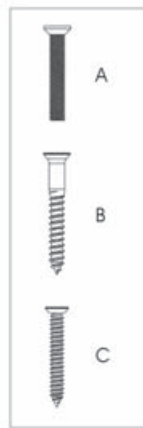
NO SCALE



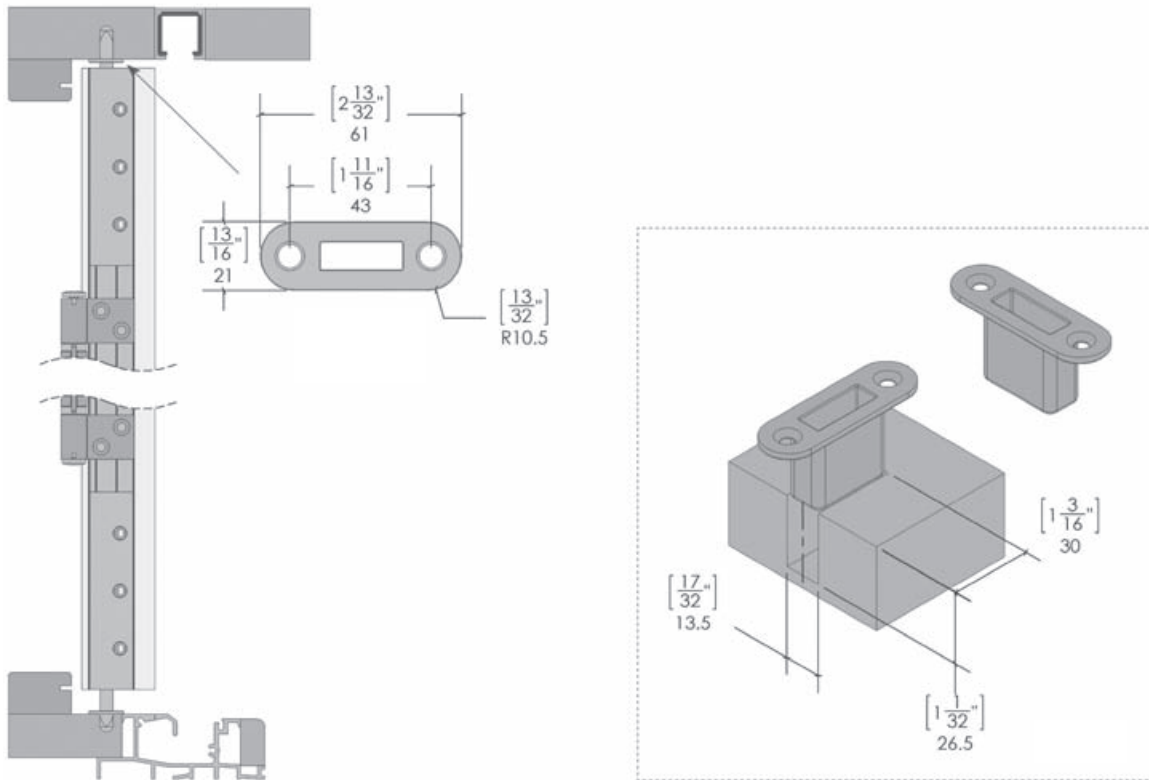
Optional



NO SCALE



NO SCALE



NO SCALE



[www.theDSgroup.com](http://www.theDSgroup.com)

**Tomorrow's Innovative Solutions for Today's Doors & Windows**

The DS Group Of Companies: Draftseal®, Kristrack®, Eclipse Architectural® & DSD Hardware

---

**Head Office & Manufacturing Centre, Vancouver, Canada**

7470 Buller Avenue, Burnaby, B.C. V5J 4S5 Canada

Phone: (604) 451-1080 • Fax: (604) 451-1140 • [info@theDSgroup.com](mailto:info@theDSgroup.com)

Outside Vancouver, B.C., please use our toll free numbers: Phone: 1-888-520-9009 Fax: 1-800-567-2887

**Branch Office & Manufacturing Centre, Toronto, Canada**

Phone head office toll free 1-888-520-9009 for branch address

**Branch Office & Distribution Centre, Los Angeles, California**

Phone head office toll free 1-888-520-9009 for branch address

**Eclipse Architectural® Corporate Showrooms**

Vancouver & Toronto, Canada • Los Angeles, California, USA

THE DS GROUP IS THE BRAND IMAGE OF A.K. DRAFT SEAL LTD.