

Purchase Order Form (one form per unit) S1E Eco Shade (UV Protection Sun Filter Blind)

Use One Form per S1E Eco Shade (UV Protection Sun Filter Blind) Unit/Configuration.

Date _____ Account _____

Job or Tag Name _____

Company _____ Person filling out this form _____

Address _____ City _____ Zip/Postal Code _____

Phone _____ Fax _____ Email _____

NOTES:

(R) = Required Information

(O) = Optional

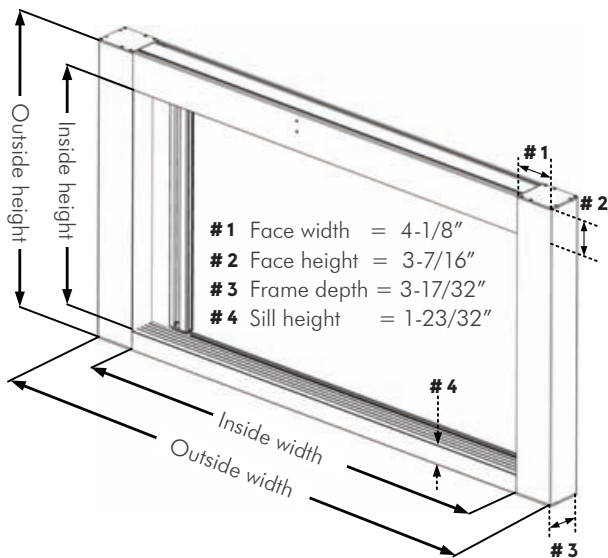
(R) Please choose a frame finish (standard) White powder coat Bronze powder coat Clear anodized

(R) Blind fabric color White Sand Light grey

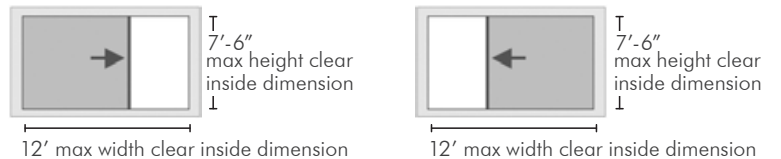
(O) Insect screen Regular Screen

(O) Custom wood grain veneer finish (upcharge) Douglas fir African mahogany

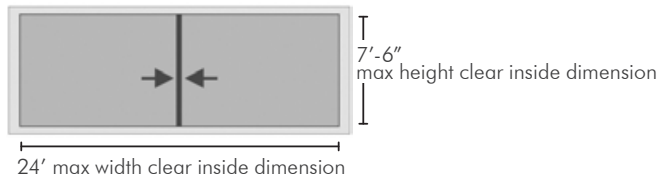
(O) Custom powder coat finish (upcharge) Readily available color (www.ralcolor.com) Custom powder coat finish (colour chip required)



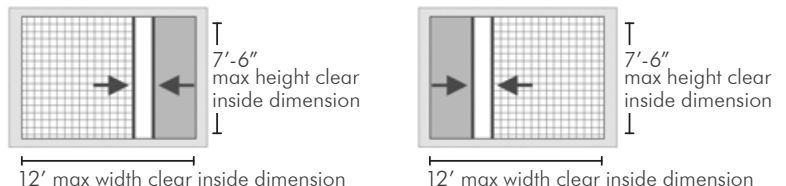
UV Blind from left up to 12 ft. wide (single) UV Blind from right up to 12 ft. wide (single)



Double / UV Blind From Right & Left up to 12 ft. per side for total of 24 ft.



Double Multi-function / UV Protection Sun Filter Blind pulling out from the left & Insect Screen pulling out from the right or reverse. Max size 12' x 7'-6\"/>



FOR CUSTOMER USE

(R) = Required Information

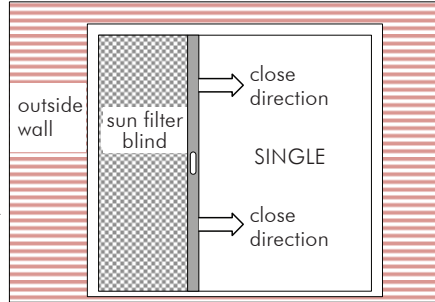
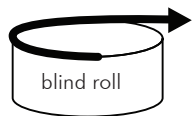
(O) = Optional

(R) Single S1E Eco Shade (UV Protection Sun Filter Blind)

Single blind size available up to 12' w x 7'-6" h (clear inside dimension) max.

S1EL

Blind rolls to the left, but mesh travels to the right

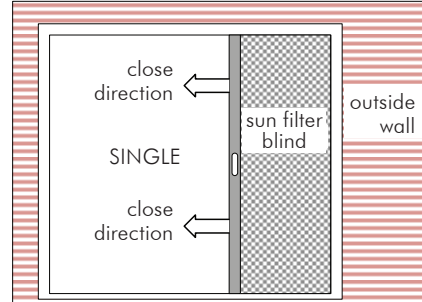
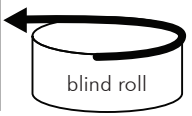


From outside looking inside

OR

S1ER

Blind rolls to the right, but mesh travels to the left

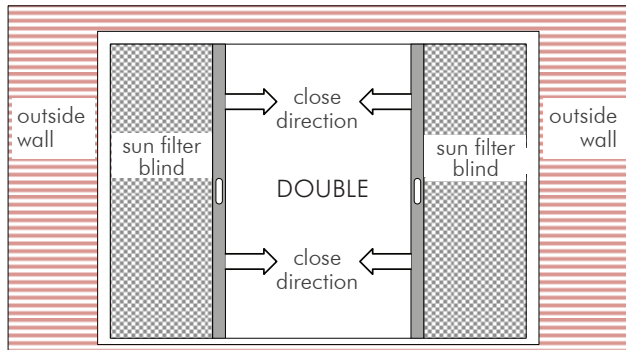


From outside looking inside

(R) Double S1E Eco Shade (UV Protection Sun Filter Blind)

Double blind sizes available up to 24' w x 7'-6" h (clear inside dimension) max.

S1ED



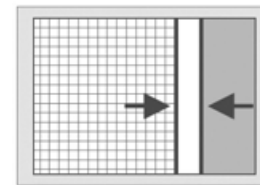
From outside looking inside

(R) Double Multi-function UV Protection Sun Filter Blind & Insect Screen

24' w x 7'-6" h (clear inside dimension) max.

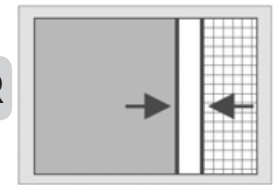
S1EMFSLBR

Screen pulls out from the left, blind pulls out from the right



S1EMFBSR

Blind pulls out from the left, screen pulls out from the right



OR

(R) IMPORTANT! Please provide either inside **or** outside dimensions. **Do not provide both.**

Inside width: _____

Inside height: _____

OR

Outside width: _____

Outside height: _____

(O) Different finish on sill from jambs & header - IE: Clear anodized sill with white powder coat jambs & header

- SILL clear anodized white powder coat bronze powder coat
 JAMBS clear anodized white powder coat bronze powder coat
 HEADER clear anodized white powder coat bronze powder coat

S1E ECO SHADE PURCHASE ORDER FORM

FOR CUSTOMER USE

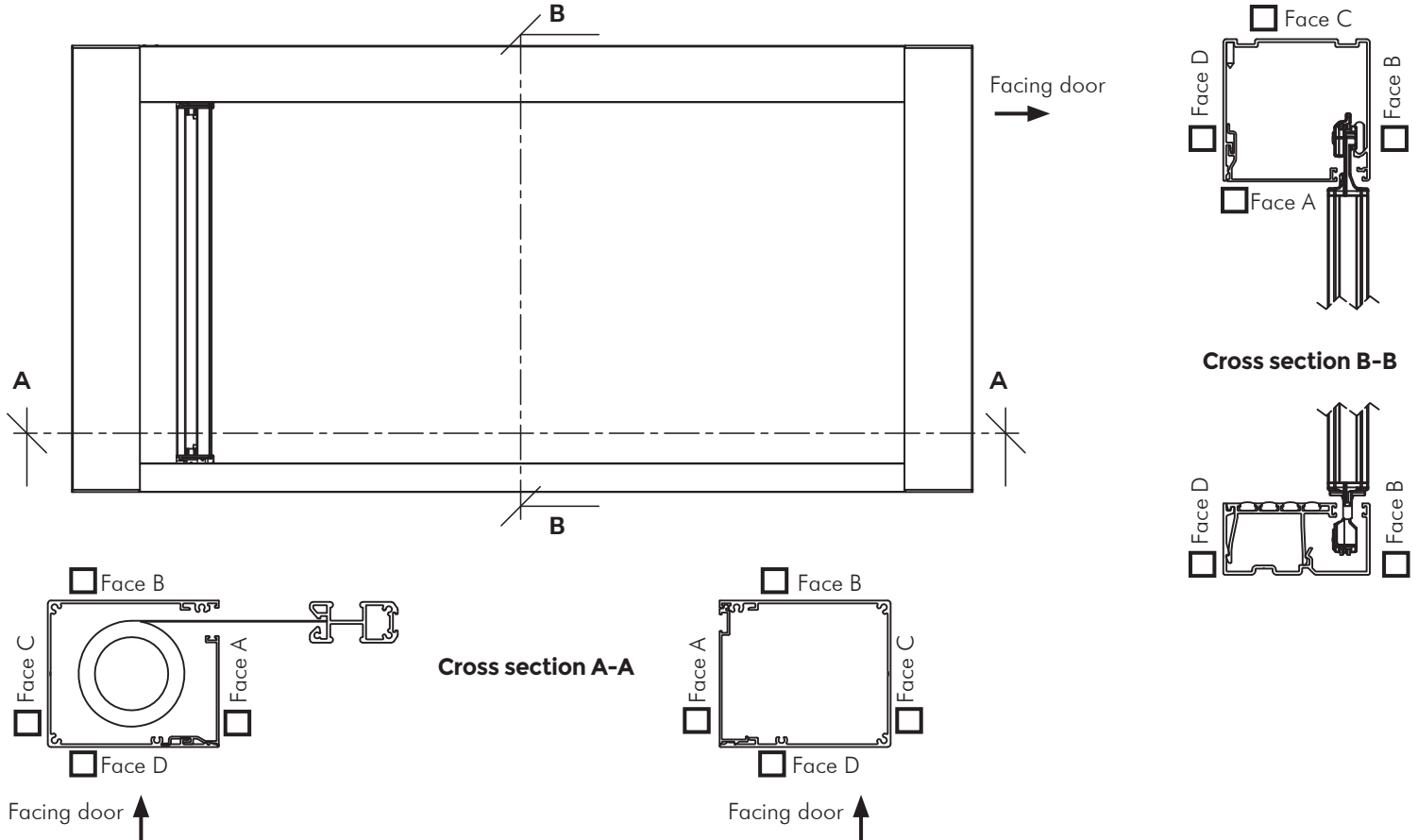
(R) = Required Information

(O) = Optional

(O) Wood Veneer Options & Veneer "Face" Choices • Veneer thickness: .022" (.5588 mm)

Choose one wood species: Douglas Fir or African mahogany

Tick the box for correct face(s) on cross section for head, sill & jamb which require veneer:



(R) Please sign below to initiate your order.

PLEASE NOTE: By signing this document you agree to purchase this system based on the information you've provided and you acknowledge this information to be accurate. We will use this information to custom order your S1 Screen. A.K. Draft Seal Ltd. will not be held responsible for any mistakes resulting from incorrect information. Any systems we produce based on the information you have provided in this form are non-returnable.

(R) Customer P.O. # _____

(R) Date: _____

(R) Customer Name: (please print) _____

(R) Company Name: _____

(R) Customer Signature: _____

Head Office & Manufacturing Centre - Vancouver, Canada

7470 Buller Avenue, Burnaby, B.C. V5J 4S5 Canada

Ph: (604) 451-1080 • Fax: (604) 451-1140 • info@theDSgroup.com • Outside Vancouver, BC use toll free numbers Ph: 1-888-520-9009 Fax: 1-800-567-2887

Branch Offices & Manufacturing Centres

Toronto, Canada & Los Angeles, USA

Eclipse Architectural® Corporate Showrooms

Vancouver & Toronto, Canada • Los Angeles, California & Honolulu, Hawaii USA

THE DS GROUP IS THE BRAND IMAGE OF A.K. DRAFT SEAL LTD.