

## Quote Request Form (one form per unit) S1E Eco Shade (UV Protection Sun Filter Blind)

Use One Form per S1E Eco Shade (UV Protection Sun Filter Blind) Unit/Configuration.

Date \_\_\_\_\_ Account \_\_\_\_\_

Job or Tag Name \_\_\_\_\_

Company \_\_\_\_\_ Person filling out this form \_\_\_\_\_

Address \_\_\_\_\_ City \_\_\_\_\_ Zip/Postal Code \_\_\_\_\_

Phone \_\_\_\_\_ Fax \_\_\_\_\_ Email \_\_\_\_\_

**NOTES:**  
\_\_\_\_\_  
\_\_\_\_\_

**(R) = Required Information**

**(O) = Optional**

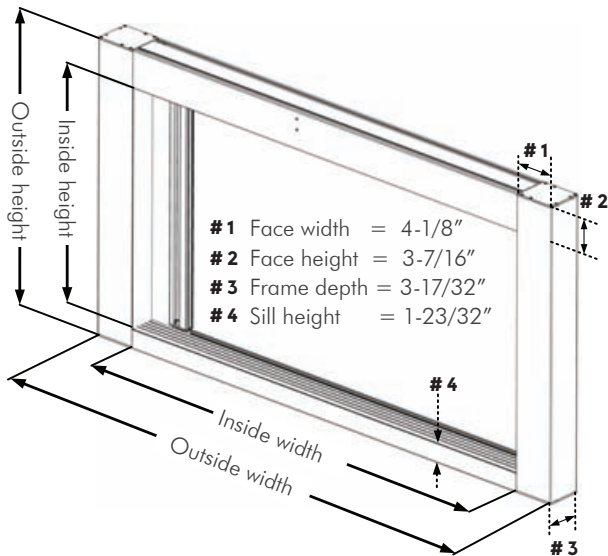
**(R) Please choose a frame finish (standard)**  White powder coat  Bronze powder coat  Clear anodized

**(R) Blind fabric color**  White  Sand  Light grey

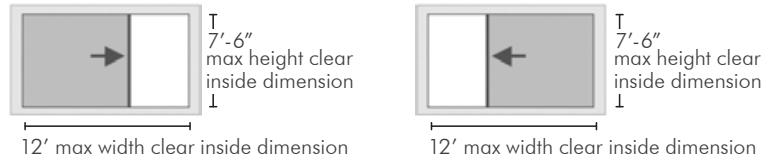
**(O) Insect screen**  Regular Screen

**(O) Custom wood grain veneer finish (upcharge)**  Douglas fir  African mahogany

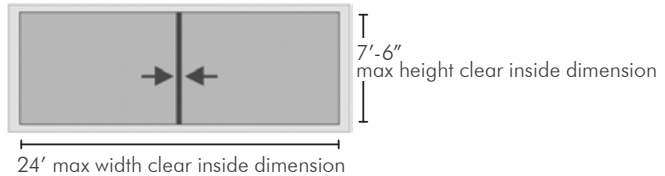
**(O) Custom powder coat finish (upcharge)**  Readily available color (www.ralcolor.com)  Custom powder coat finish (colour chip required)



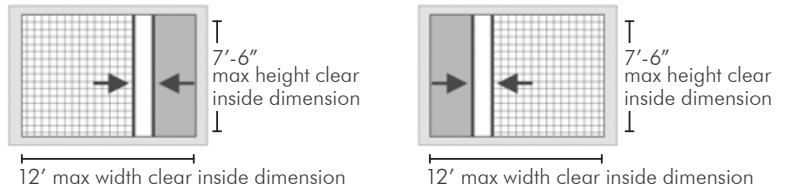
**UV Blind from left up to 12 ft. wide (single)    UV Blind from right up to 12 ft. wide (single)**



**Double / UV Blind From Right & Left up to 12 ft. per side for total of 24 ft.**



**Double Multi-function / UV Protection Sun Filter Blind pulling out from the left & Insect Screen pulling out from the right or reverse. Max size 12' x 7'-6"**



**FOR CUSTOMER USE**

**(R) = Required Information**

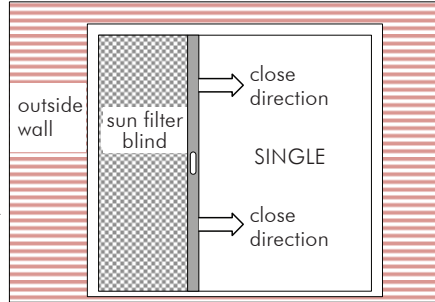
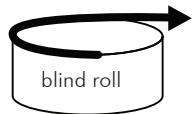
**(O) = Optional**

**(R) Single S1E Eco Shade (UV Protection Sun Filter Blind)**

Single blind size available up to 12' w x 7'-6" h (clear inside dimension) max.

**S1EL**

Blind rolls to the left, but mesh travels to the right

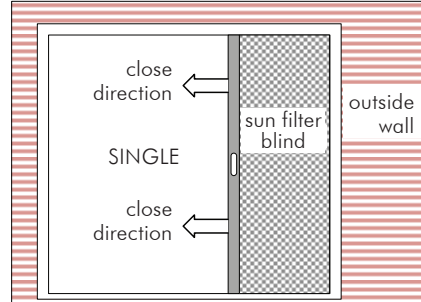
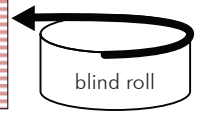


From outside looking inside

**OR**

**S1ER**

Blind rolls to the right, but mesh travels to the left

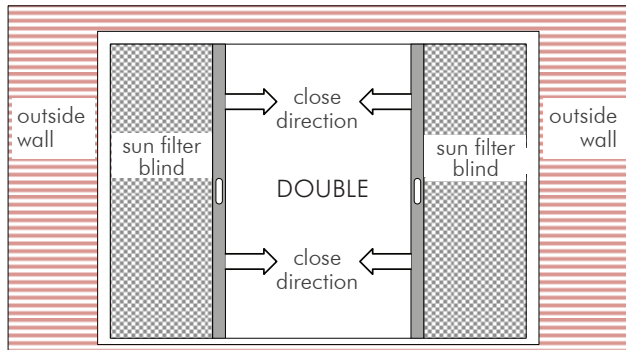


From outside looking inside

**(R) Double S1E Eco Shade (UV Protection Sun Filter Blind)**

Double blind sizes available up to 24' w x 7'-6" h (clear inside dimension) max.

**S1ED**



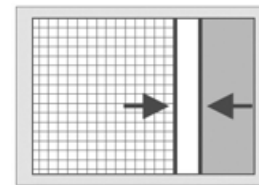
From outside looking inside

**(R) Double Multi-function UV Protection Sun Filter Blind & Insect Screen**

24' w x 7'-6" h (clear inside dimension) max.

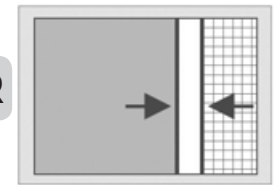
**S1EMFSLBR**

Screen pulls out from the left, blind pulls out from the right



**S1EMFBSLR**

Blind pulls out from the left, screen pulls out from the right



**OR**

**(R) IMPORTANT!** Please provide either inside **or** outside dimensions. **Do not provide both.**

Inside width: \_\_\_\_\_

Inside height: \_\_\_\_\_

**OR**

Outside width: \_\_\_\_\_

Outside height: \_\_\_\_\_

**(O) Different finish on sill from jambs & header - IE:** Clear anodized sill with white powder coat jambs & header

- SILL  clear anodized  white powder coat  bronze powder coat  
 JAMBS  clear anodized  white powder coat  bronze powder coat  
 HEADER  clear anodized  white powder coat  bronze powder coat

FOR CUSTOMER USE

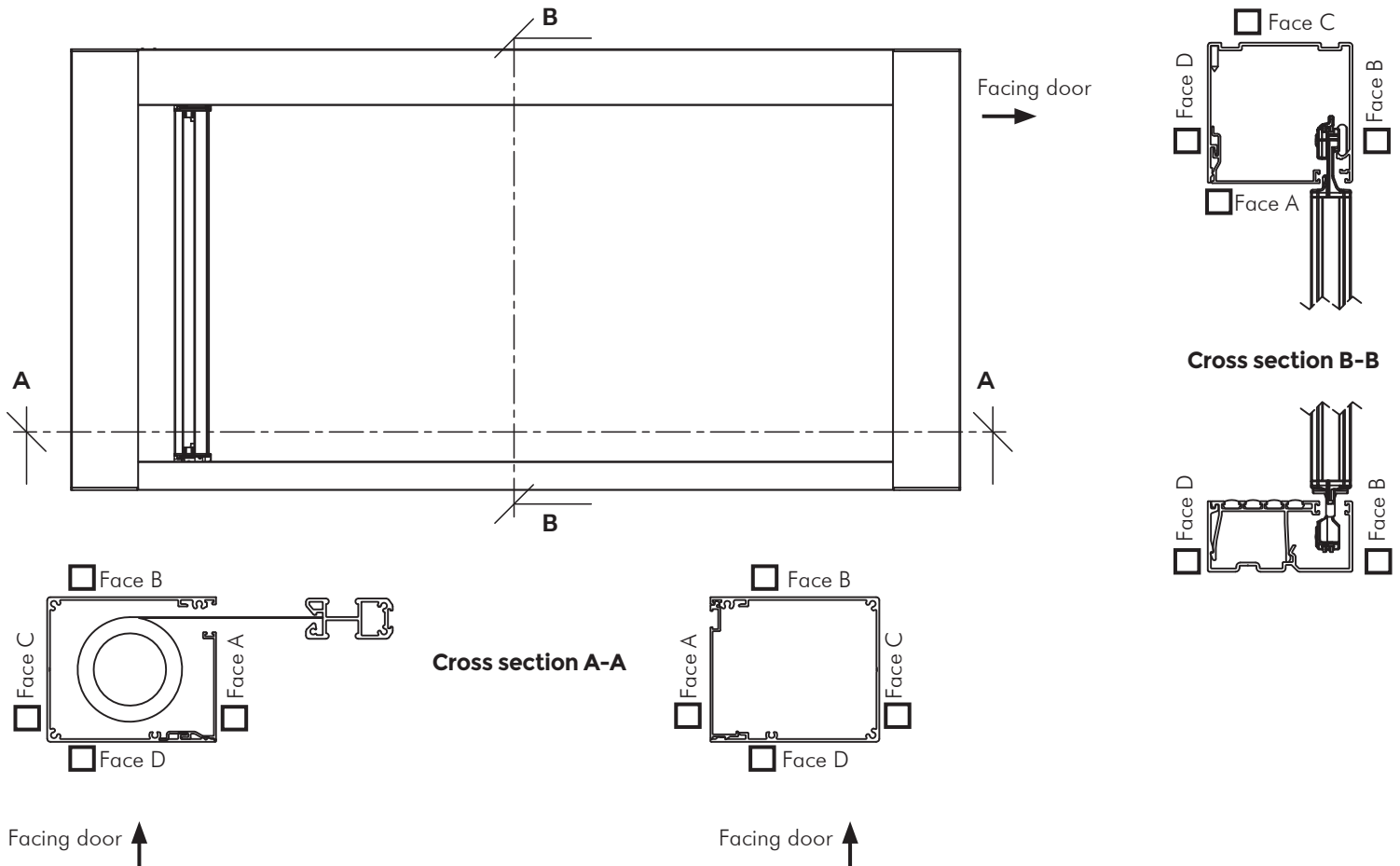
**(R) = Required Information**

**(O) = Optional**

**(O) Wood Veneer Options & Veneer "Face" Choices** • Veneer thickness: .022" (.5588 mm)

Choose one wood species:  Douglas Fir or  African mahogany

Tick the box for correct face(s) on cross section for head, sill & jamb which require veneer:



**(R) PLEASE NOTE:** Please sign below for quote request.

**(R) Company Name:** \_\_\_\_\_

**(R) Customer Name:** (please print) \_\_\_\_\_

**(R) Customer Signature:** \_\_\_\_\_ **(R) Date:** \_\_\_\_\_

**Head Office & Manufacturing Centre - Vancouver, Canada**

7470 Buller Avenue, Burnaby, B.C. V5J 4S5 Canada

Ph: (604) 451-1080 • Fax: (604) 451-1140 • info@theDSgroup.com • Outside Vancouver, BC use toll free numbers Ph: 1-888-520-9009 Fax: 1-800-567-2887

**Branch Offices & Manufacturing Centres**

Toronto, Canada & Los Angeles, USA

**Eclipse Architectural® Corporate Showrooms**

Vancouver & Toronto, Canada • Los Angeles, California & Honolulu, Hawaii USA

THE DS GROUP IS THE BRAND IMAGE OF A.K. DRAFT SEAL LTD.