

Eclipse Architectural®

KT740 Door Hold Specification & Installation Instructions

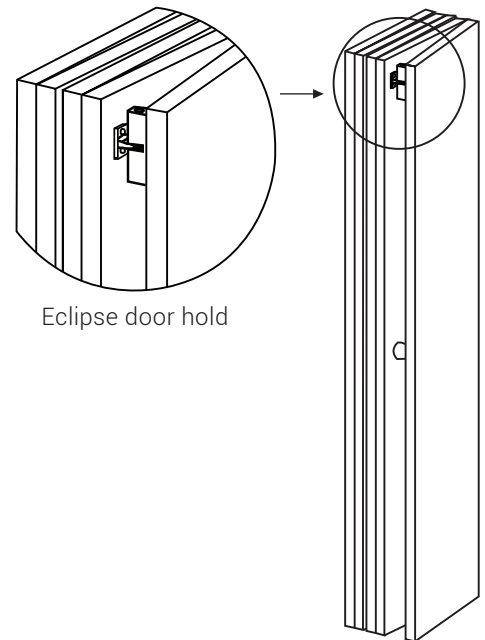
Application: Exterior Folding Doors

The Eclipse Door Hold is used to secure or hold the active swing door and / or doors in place to prevent possible damage in the event of wind slamming one panel into the next panel.

PRODUCT #	FINISH	MATERIAL	QUANTITY
KT740DHC	Clear anodized	Aluminum	1 per pack
KT740DHD	Bronze anodized	Aluminum	1 per pack
KT740DHW	White powder coat	Aluminum	1 per pack
KT740DHBL	Black powder coat	Aluminum	1 per pack

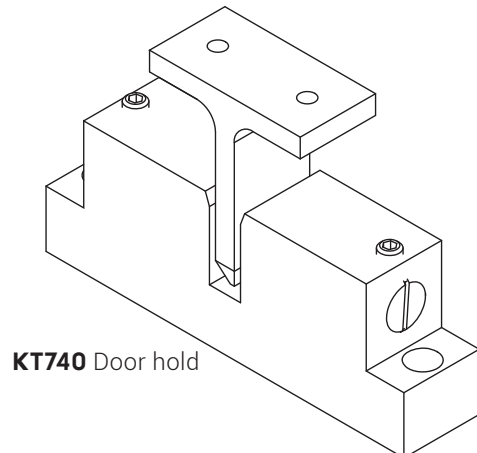
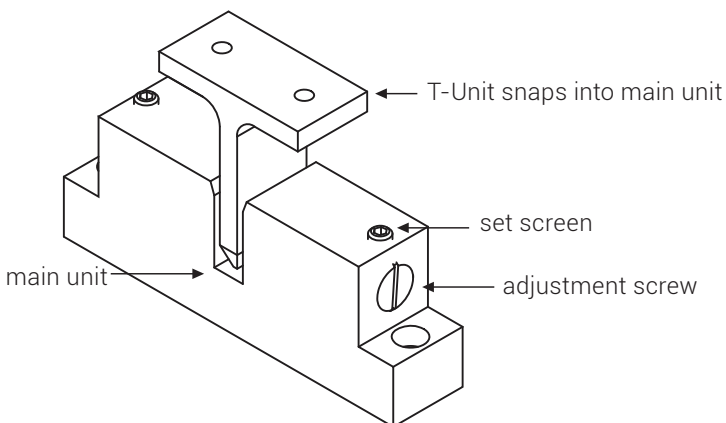
Stainless steel screws supplied with clear anodized unit.

Stainless steel screws (bronze colored) supplied with bronze anodized unit.

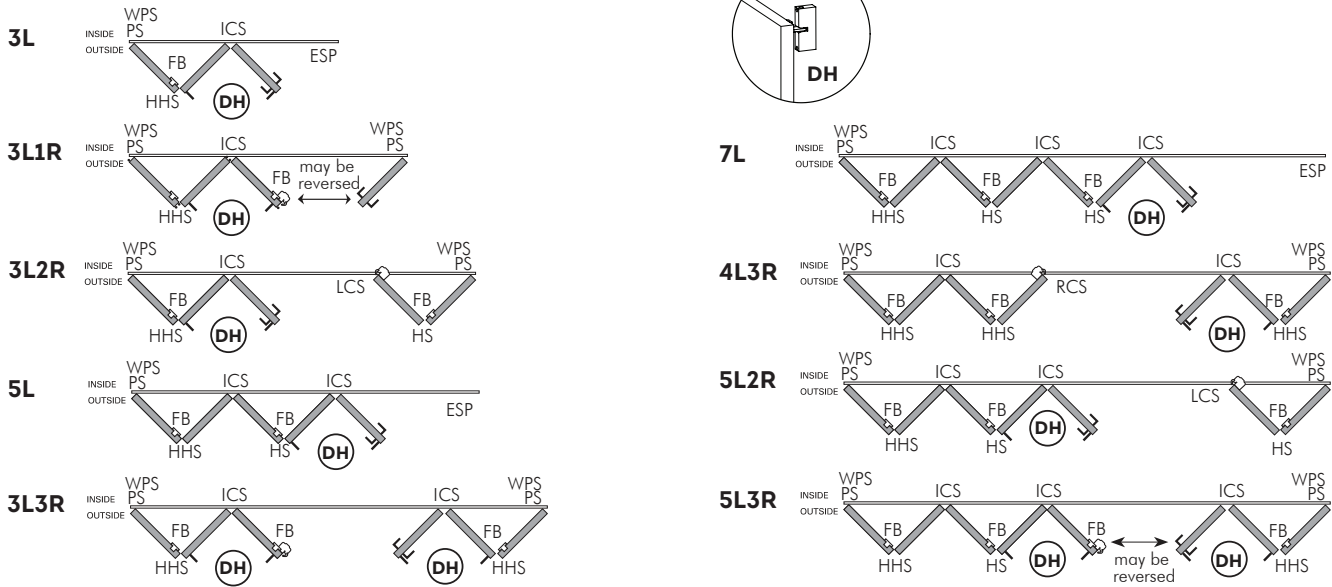


Installation Instructions

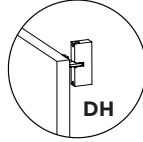
Install unit as shown in picture, typically at the top of the door panels. Centre main unit on door stile, 1 to 2 inches (25 to 50mm) from the top edge of door. Fasten in place with 1-1/2" (38mm) screws supplied. Fold all door panels to one side or both sides (depending on configuration) and align the T-unit with slot into the main unit and fasten in place with 1-1/2" (38mm) screws supplied. Adjust tension screws accordingly and lock in place with set screws (1/8" allen key supplied). Make sure the adjustment tension screws are evenly balanced; this will ensure that the T-unit slides into the slot of the main unit evenly.



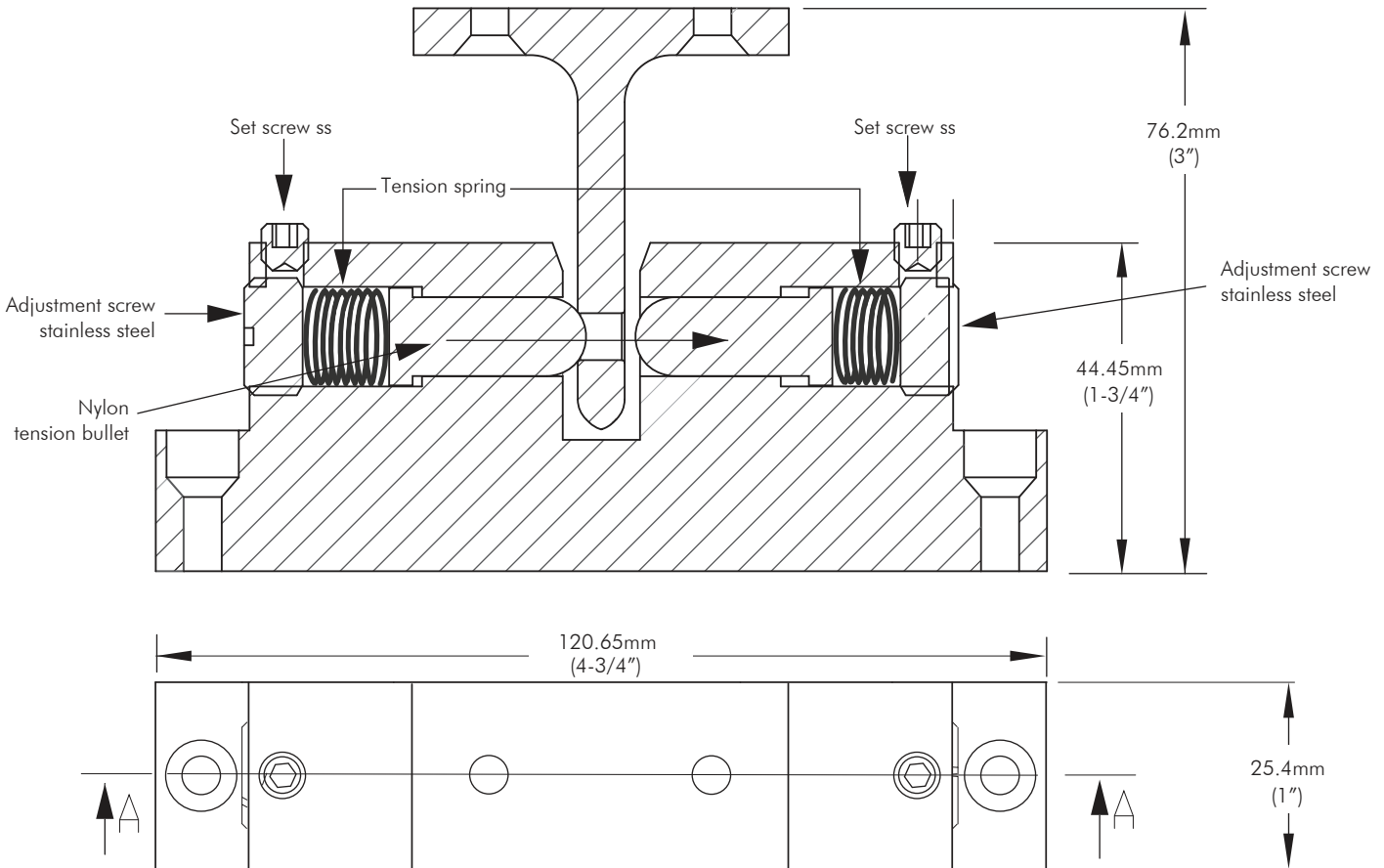
KT740 Door Hold Examples



Door Hold



KT740 Door Hold Specifications



Head Office & Manufacturing Centre - Vancouver, Canada

7470 Buller Avenue, Burnaby, B.C. V5J 4S5 Canada • info@theDSgroup.com

Ph: (604) 451-1080 • Fax: (604) 451-1140 • Outside Vancouver, BC use toll free numbers Ph: 1-888-520-9009 Fax: 1-800-567-2887

Branch Offices & Manufacturing Centres

Toronto, Canada & Los Angeles, USA

Eclipse Architectural® Corporate Showrooms

Vancouver & Toronto, Canada • Los Angeles, California & Honolulu, Hawaii USA

THE DS GROUP IS THE BRAND IMAGE OF A.K. DRAFT SEAL LTD.